

# 5-150 Clip-on Sealing Profiles

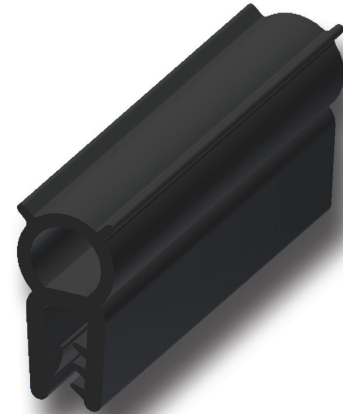


## Product Notes:

- Profiles combine the characteristics of edge protection profiles and sealing profiles
- Profile clips onto sheet metal edge
- Sealing part of the profiles is sponge rubber. The clamp area is soft rubber with a steel core. In an extrusion process the two materials are bonded to each other through vulcanization.
- Tested according to UL Standards
- Sealing profile also available in UL tested material (UL94 HB).

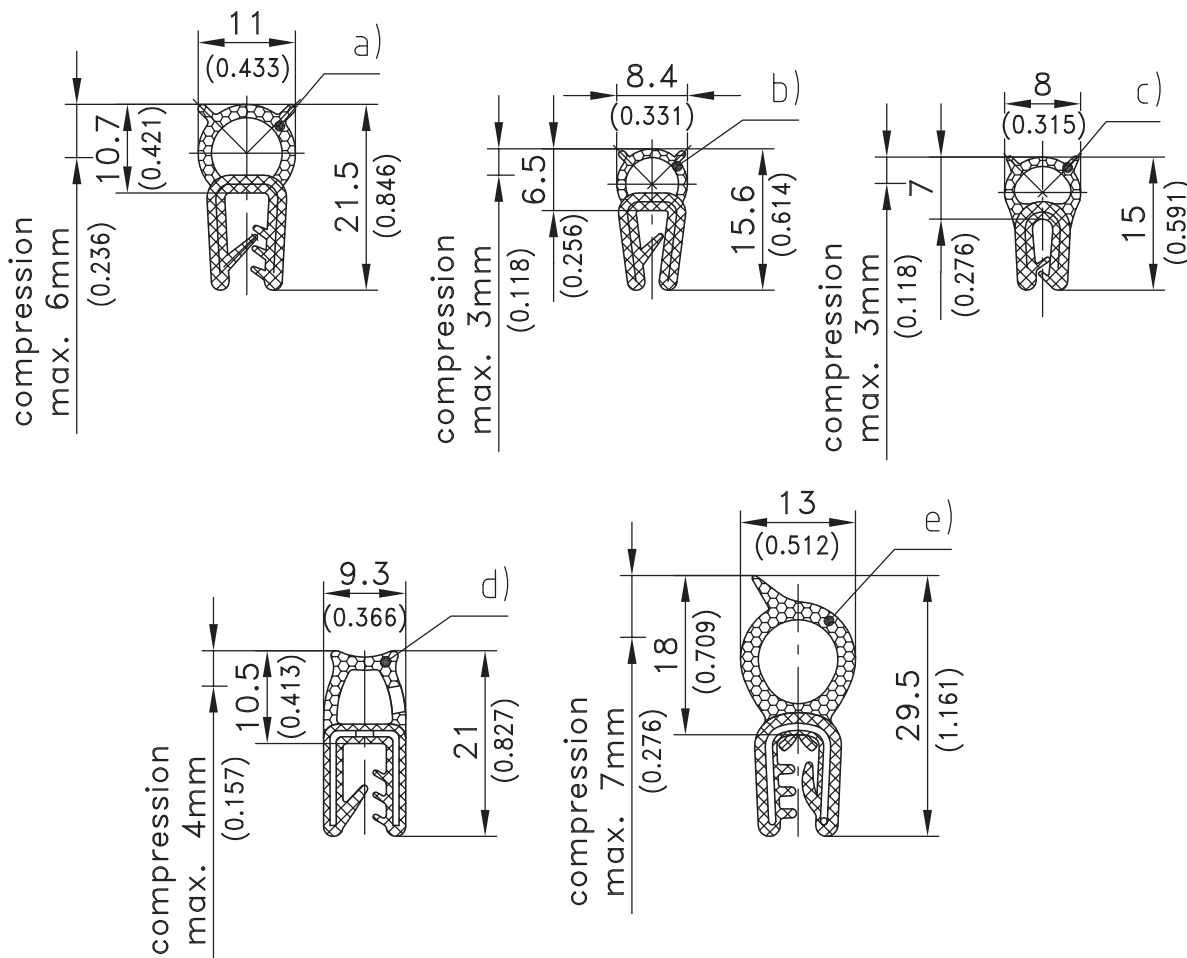
## Material:

- **Clip-on profiles:** EPDM or NBR  
NBR is oil-resistant
- **Carrier:** Soft Rubber
- **Sealing part:** Sponge Rubber



## Customized designs:

- If the cross-sections shown are not suitable, customized profile can be developed to meet application need



Material	Color	Clamping Range	Packaging Unit	Part No.	UL (UR)
a) EPDM, soft- / sponge rubber	Black	1.5 - 3.0mm	50m	209-0201	*
a1) EPDM, soft- / sponge rubber	Black	0.8 - 2.0mm	50m	209-0201.1A	
a2) NBR, soft- / sponge rubber	Black	1.5 - 3.0mm	50m	209-2201	
a3) EPDM, soft- / sponge rubber	Black	3.0 - 4.0mm	100m	209-0240	
b) EPDM, soft- / sponge rubber	Black	1.0 - 2.0mm	50m	209-0205	*
c) EPDM, soft- / sponge rubber	Black	0.8 - 1.5mm	50m	209-0205.1A	
d) EPDM, soft- / sponge rubber	Black	1.0 - 2.5mm	75m	209-0211	
e) EPDM, soft- / sponge rubber	Black	1.0 - 2.5mm	75m	209-0220	*