

5-110.01 Edge Sealing Profiles



Product Notes:

- Basic door profiles for lids, doors and paneling
- To attach to sheet metal edge, simply push onto sheet metal edge. If necessary, glue can be used.
- No radius or mitering necessary due to no warping or folds.
- Tolerances - see page 05.07

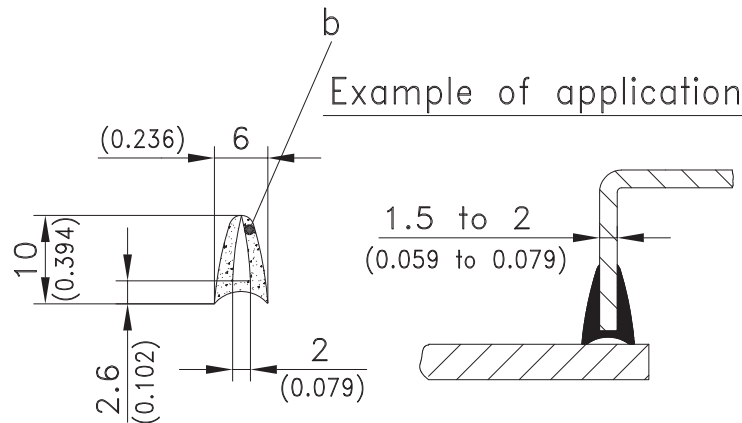
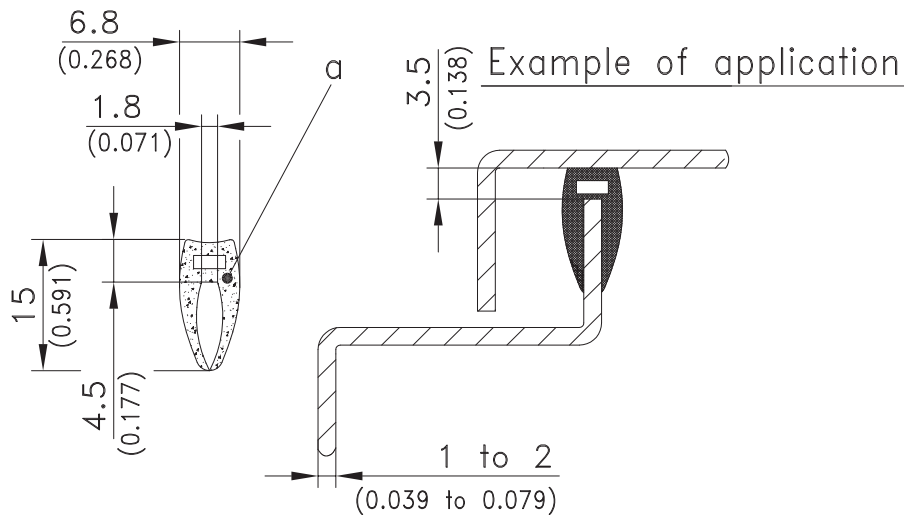
Material:

- **Edge Sealing Profiles: EPDM**



Customized designs:

- If the cross-sections shown are not suitable, customized profile can be developed to meet application need



	Material	Color	Packaging Unit	Part No.
a)	EPDM	Black	50m	209-0302
b)	EPDM	Black	50m	209-0301