

1-041.01SL Fastener 9.7 SNAP-LINE

Tool-less installation, Tool removeable from back

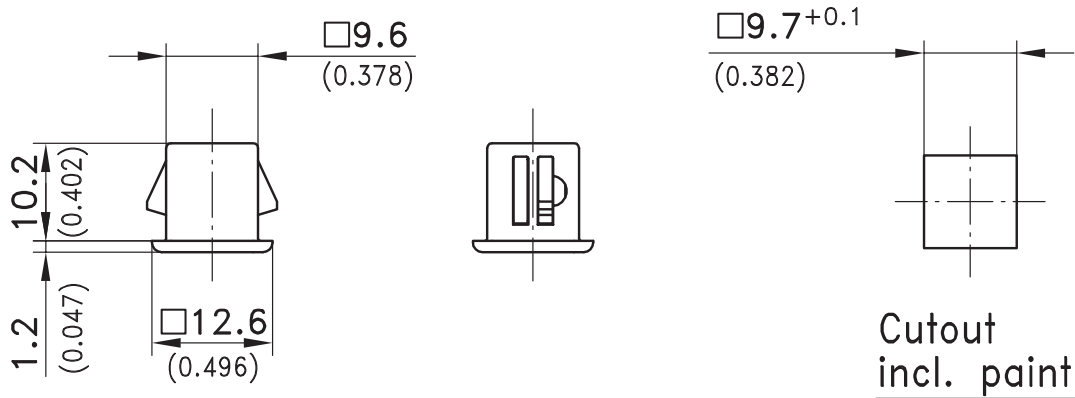
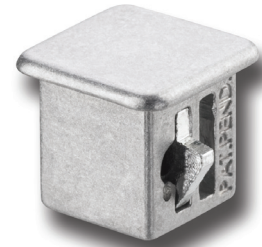


Product Notes:

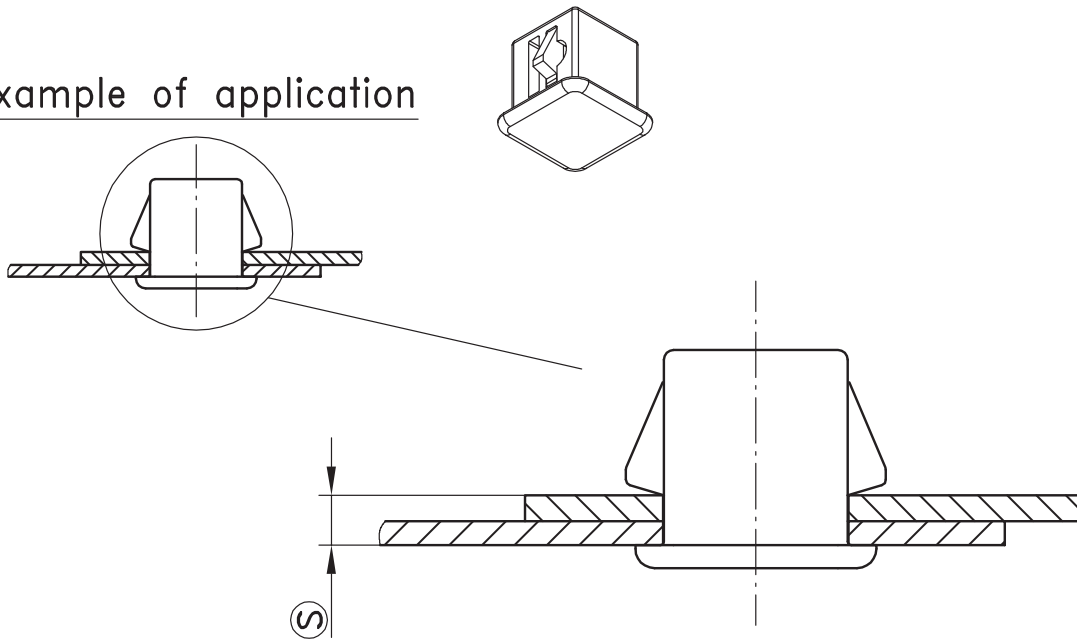
- Fastener for joining flat metal panels
- Join two metal panels by pushing the fastener through the cutouts
- The dimension \textcircled{S} is the total thickness of both panels

Material:

- **Housing:** Zinc Die, Untreated
- **Wings:** Sintered Steel, Zinc Plated



Example of application



Fastener	Clamping Range \textcircled{S}	Part No.
	2.2 - 2.4	294-9104.00-02224
	2.5 - 2.7	294-9104.00-02527
	2.8 - 3.0	294-9104.00-02830
	3.1 - 3.3	294-9104.00-03133

Other \textcircled{S} - dimensions on request