

# 1-040SL Fastener 8x15 SNAP-LINE

Tool-less installation, Tool removeable front and back

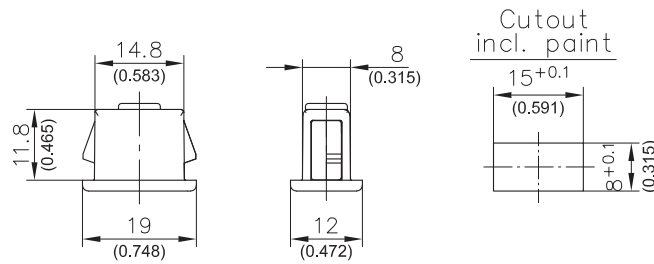
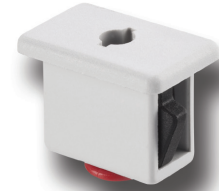


## Product Notes:

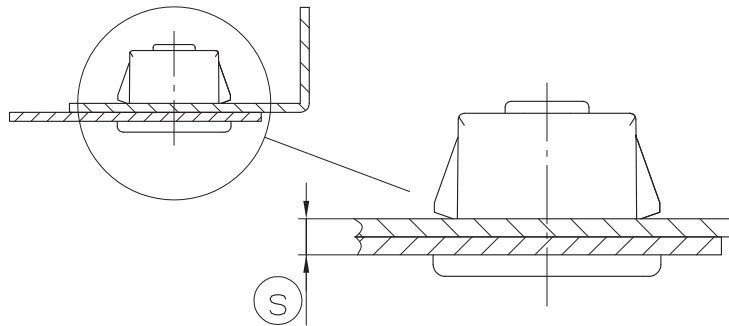
- Fastener for joining flat metal panels
- Join two metal panels by pushing the fastener through the cutouts
- Fastener can be disengaged from both front or back with tool (Part No. 292-0302.70 - see Product System 6-080SL)
- Tool is captive when the fastener is in disengaged position
- The dimension  $\textcircled{S}$  is the total thickness of both panels

## Material:

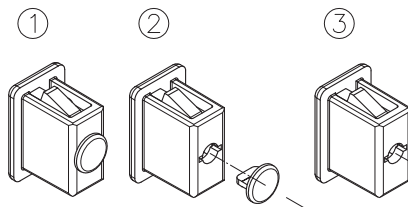
- **Housing:** PA, Black or Light Grey, RAL 7035
- **Wings:** Grivory, Black



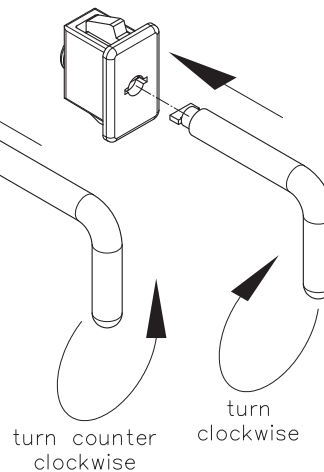
## Example of application



## Uninstallation inside:



## Uninstallation outside:



Fastener	Clamping Range $\textcircled{S}$	PA Black	PA, Grey (RAL 7035)	See Page
	1.5 - 1.8	294-9001.00-00015	294-9002.00-00015	
	2.0 - 2.3	294-9001.00-00020	294-9002.00-00020	
	3.0 - 3.3	294-9001.00-00030	294-9002.00-00030	
	4.0 - 4.3	294-9001.00-00040	294-9002.00-00040	
<b>Other <math>\textcircled{S}</math> - dimensions on request</b>				
<b>Tool for uninstallation</b>		<b>292-0302.70-00000</b>	<b>292-0302.70-00000</b>	<b>10.17</b>