

1-020SL PA Fastener 9.5 and 12.7 SNAP-LINE

Tool-less assembly, Hand removeable, Removeable from back

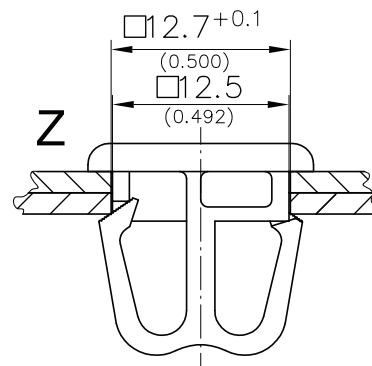
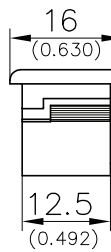
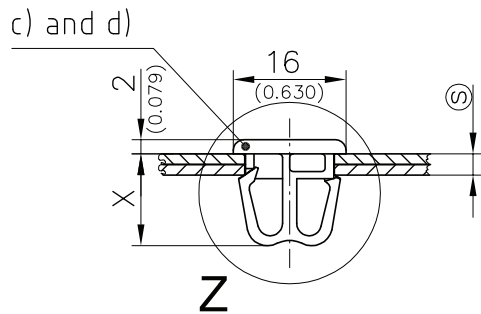
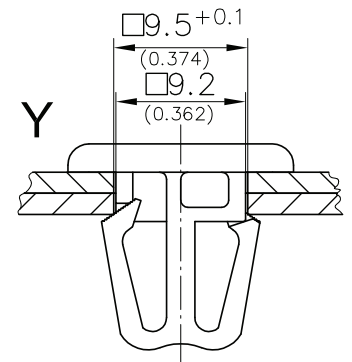
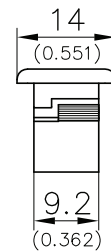
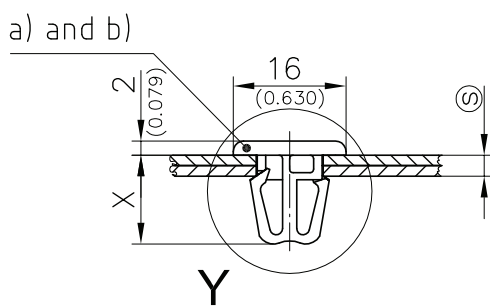


Product Notes:

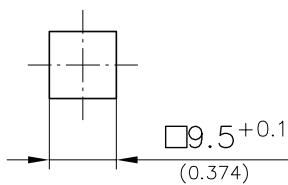
- Clips into the installation cutout for simple tool-less installation.
- Audible click ensures proper secure installation.
- Square base (□9.2 and □12.5) prevents fastener from turning in cutout

Material:

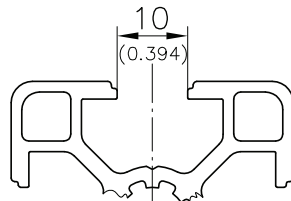
- **Fastener:** PA, Black



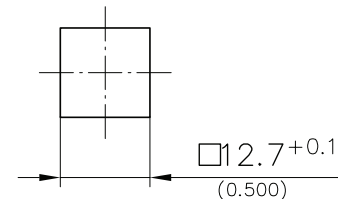
Cutout for a) and b)
incl. paint



Aluminium profile
fit for a) and b)



Cutout for c) and d)
incl. paint



	Dimension X mm/inch	clamping range [Ⓢ]	Part No.	packing unit
PA Fastener □9.5	12.6 / 0.496	3.0 - 3.5	214-0109.51-00000	250
PA Fastener □9.5	13.6 / 0.535	4.0 - 4.5	214-0109.51-10000	250
PA Fastener □12.7	13 / 0.512	3.0 - 3.5	214-0109.51-20000	250
PA Fastener □12.7	14 / 0.551	4.0 - 4.5	214-0109.51-30000	250

Other [Ⓢ] - dimension on request!